

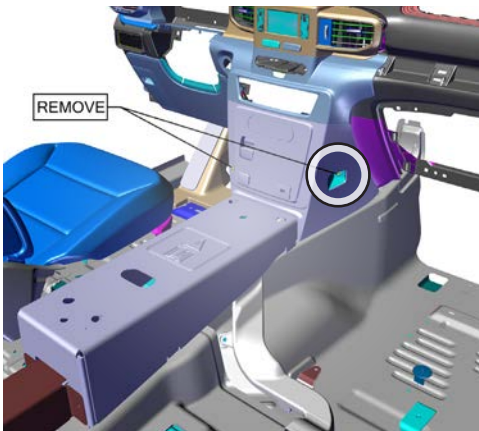


425-6505

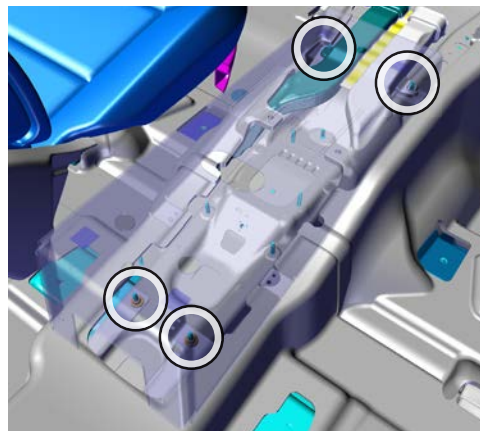
2020+ PI Utility Contour Console

Installation Instructions

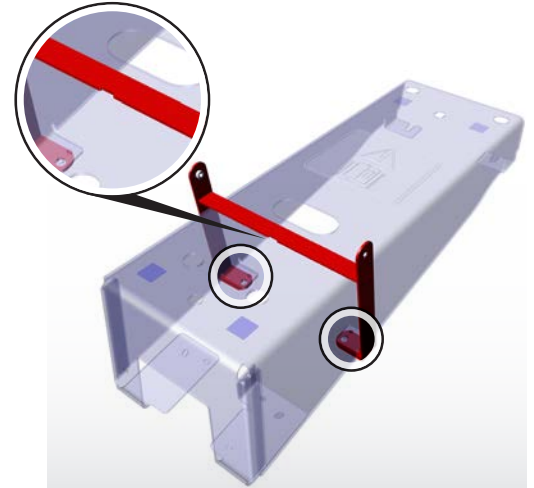
If you have questions or need further assistance please call Technical Support: 1.877.455.6886



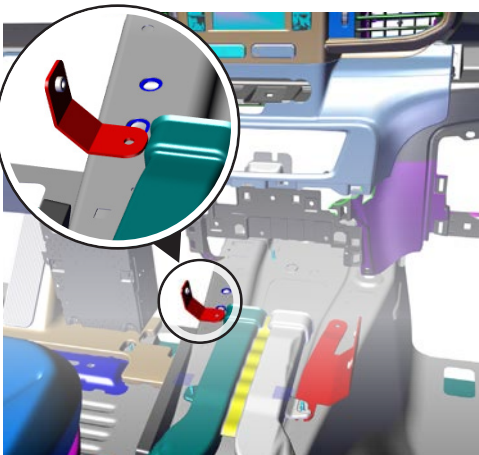
1. Unscrew lower OEM trim. Keep hardware.
2. Remove lower OEM trim by disconnecting the 12v Power, USB, Parking Brake and Rear Air Control for relocation into Contour Console.



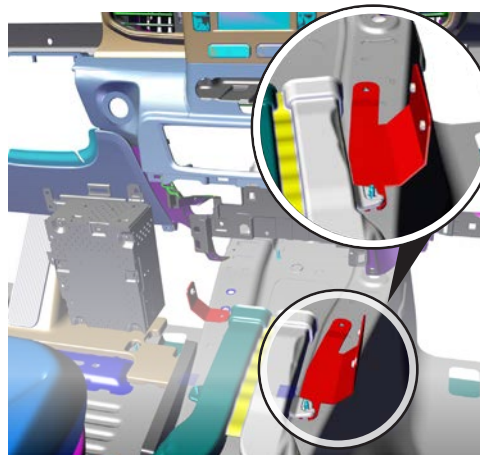
1. Remove the factory OEM front and rear 10 mm nuts holding the OEM Cover Plate in place.
2. Temporarily remove Cover Plate from vehicle.



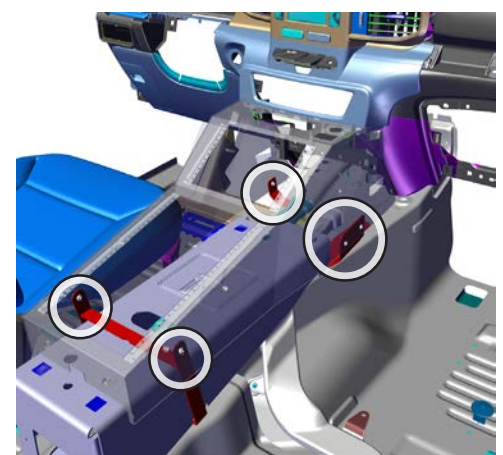
1. Attach the Rear Mounting Bracket with notch facing rear of vehicle using provided hardware.
2. **IF NOT** installing Console Side Mount, reinstall Cover Plate into vehicle and fully tighten 10 mm nuts. Then Proceed to final step.



NOTE: IF INSTALLING CONSOLE SIDE MOUNT
Remove D/S front OEM 10 mm screw and attach D/S Front Bracket.



- NOTE: IF INSTALLING CONSOLE SIDE MOUNT**
1. Attach the P/S Front Bracket by detaching the OEM Radio and moving it to the left. Secure the bracket under the mounting tabs of the air duct mounting point to the stud with previously removed 10 mm nut.
 2. With the radio moved aside secure the front hole with provided self-drilling screw.
 3. Replace radio and reinstall Cover Plate. Fully tighten 10 mm nuts.



1. Position the Contour Console on top of the OEM Cover Plate.
2. Align the mounting points on the sides and to the OEM Dash Structure. Then secure with provided screw when OEM Lower Trim revealed.

*(4 points for Contour Console;
7 points if using Console Side Mount.)*